

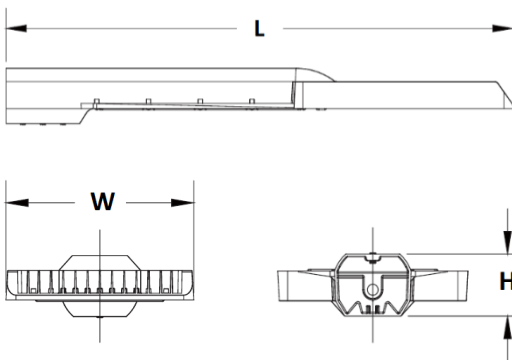
**TECHNICAL DESCRIPTION**



IS 10322  
(Part 5/Sec 3):2012



**DIMENSIONS**



Model	Wattages (W)	Dimensions L x W x H (mm)
Micro	40W	573 x 142 x 76
	60W	
Mini Plus	90W	615 x 212 x 79
	120W	
Midi	150W	710 x 218 x 81
Maxi	180W	757 x 254 x 83
	200W	

**APPLICATIONS**

- Highways and Main Road Lighting
- Parking lots and Area Lighting
- City Roads

**DESCRIPTION (Tender text)**

LED Street light luminaire, BIS certified with a highly efficient temperature resistant integrated lenses PC protector (IK08), body of high pressure die cast aluminium, separate IP66 optical and control gear compartments.

Several optical options providing excellent photometry to optimally cater to all kinds of road configurations.

Suitable for horizontal mounting for 60mm diameter pipe, provision for installation of NEMA socket and pre-cabled as required.

Overall system efficiency of 120lm/W or 140lm/W at correlated colour temperature (CCT) of 4000K (optional 3000K & 5700K), colour rendering index (CRI) >70 and L70 rated lifetime of 50,000 hours.

Electrical Class I, rated voltage 240Vac, Power Factor ≥ 0.95, with BIS certified potted driver having internal surge protection of 4/4 kV and an additional surge protection device (SPD) of 10/10 kV (in both Common & Differential Modes).

**CHARACTERISTICS**

- Efficient, reliable with High System efficacy
- Optimised photometric & mechanical performance with a minimum TCO (Total Cost of Ownership)
- Separate optical & control gear compartment
- Operating Voltage Range: 240Vac
- Operating temperature range: -10°C to 50°C
- Surge Protection Device: Standard 10kV or optional 20kV SPD
- Suitable for horizontal mounting on Ø60mm pipe
- Weeping holes: To avoid water accumulation
- Integrated shield: To reduce the uplight
- Option of NEMA socket for smart lighting
- Ingress Protection: IP66
- Impact resistance: IK08

**RATING & EFFICACY**

Catalogue Reference	Wattage (W)	CCT (K)	CRI	System Efficacy (Lm/W)	
				(with 3030 LED)	(with 5050 LED)
LIDA 40W	40	4000	> 70	120	140
LIDA 60W	60	4000	> 70	120	140
LIDA 90W	90	4000	> 70	120	140
LIDA 120W	120	4000	> 70	120	140
LIDA 150W	150	4000	> 70	120	140
LIDA 180W	180	4000	> 70	120	140
LIDA 200W	200	4000	> 70	120	140

- The system efficacy & power consumption (wattage) of the luminaire are the values at 25°C ambient temperature, as initially tested and are dependent on environmental conditions, like temperature and may vary with specific configurations. Efficacy values are subject to ±5% tolerance at rated voltage.
- Data subjected to change as we keep on adopting latest technologies to keep in sync with market, please consult us.
- Products for special application are also available, Please contact us for details.

**Features**



Additional weeping holes to avoid water accumulation



Integrated shield in the housing that effectively reduces uplight

**KESELEC ORDERING CODE (KOC)**

**EXAMPLE: LD-040-57-R0-E8-AS-O3-P3-D0-S4-C1-T1-F1-L14**

